

GATE HINGES - GALVANIZED

3/16" GA. Steel - 1/2" Socket	Part No.	Size	Per Sack	Lbs Each
	21101	1-1/16" x 1" Wide	100	0.369
	21102	1-5/16" x 1" Wide	100	0.413
	21103	1-5/8" x 1-1/4" Wide	100	0.621
	21124	1-7/8" x 1-1/4" Wide	50	0.670
	21126	2-3/8" x 1-1/4" Wide	50	0.761
	21127	2-7/8" x 1-1/4" Wide	50	0.844
3/16" GA. Steel - 5/8" Socket	Part No.	Size	Per Sack	Lbs Each
	21111	1-1/16" x 1" Wide	100	0.369
	21112	1-5/16" x 1" Wide	100	0.413
	21162	1-5/16" x 1-1/4" Wide	100	0.463
	21163	1-5/8" x 1-1/4" Wide	100	0.621
	21164	1-7/8" x 1-1/4" Wide	50	0.652
	21166	2-3/8" x 1-1/4" Wide	50	0.770
	21167	2-7/8" x 1-1/2" Wide	50	0.980
Self-Closing Gate Hinge Assembly	Part No.	Size	Per Sack	Lbs Each
<p>(Assembly Includes Post Hinge, Gate Hinge, Pivot Plate & Pivot Fork)</p> 	21185	1-5/16" x 1-7/8"	10	3.100
	21186	1-5/16" x 2-3/8"	10	3.225
	21187	1-5/16" x 2-7/8"	10	3.236
	21191	1-5/8" x 1-7/8"	10	3.215
	21192	1-5/8" x 2-3/8"	10	3.376
	21193	1-5/8" x 2-7/8"	10	3.620
	21195	1-7/8" x 1-7/8"	10	3.315
	21196	1-7/8" x 2-3/8"	10	3.475
	21197	1-7/8" x 2-7/8"	10	3.730



POST HINGES - GALVANIZED

Part No.	Size	Per Sack	Lbs Each	Flat Wall - 5/8" Pin
21205	Pin Is Located 1" From Wall Plate	100	0.470	
Part No.	Size	Per Sack	Lbs Each	Heavy Industrial Type 1/2" Pin - 3/16" GA. Steel
21221	1-1/16" x 1" Wide	100	0.500	
21222	1-5/16" x 1" Wide	100	0.530	
21243	1-5/8" x 1-1/4" Wide	50	0.690	
21244	1-7/8" x 1-1/4" Wide	50	0.750	
21246	2-3/8" x 1-1/4" Wide	50	0.840	
21247	2-7/8" x 1-1/4" Wide	50	0.910	
Part No.	Size	Per Sack	Lbs Each	Heavy Industrial Type 5/8" Pin - 3/16" GA. Steel
21261	1-1/16" x 1" Wide	100	0.560	
21262	1-5/16" x 1" Wide	100	0.600	
21283	1-5/8" x 1-1/4" Wide	50	0.800	
21284	1-7/8" x 1-1/2" Wide	50	0.940	
21286	2-3/8" x 1-1/2" Wide	50	1.213	
21287	2-7/8" x 1-1/2" Wide	50	1.280	

POST HINGES - GALVANIZED


Heavy Industrial Type For Angle Post 3/16" GA. Steel x 1-1/4" Wide	Part No.	Size	Per Sack	Lbs Each
	21255	1/2" PIN	50	0.900
	21263	5/8" PIN	50	0.950
Back For Angle Post Hinge 3/16" - Pressed Steel	Part No.	Size	Per Sack	Lbs Each
	14135	1-1/4" Wide	50	0.320
Hinge Bolts With Nuts	Part No.	Size	Per Sack	Lbs Each
	11340	1/2" x 4-1/2"	125	0.353
	11341	1/2" x 6"	125	0.430
	11342	5/8" x 4-1/2"	125	0.584
	11343	5/8" x 6"	100	0.705
	11344	5/8" x 8"	50	0.849
	11345	5/8" x 10"	50	0.926
11346	5/8" x 12"	50	1.146	





HINGES - GALVANIZED

Industrial 180 Degree Hinge Assembly

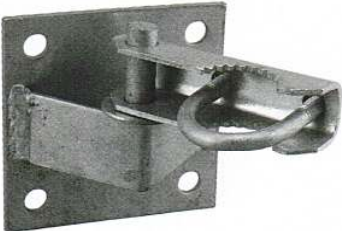
(Assembly Includes 1 Gate Bracket,
1 Post Bracket & 2 U-Bolts w/ Nuts)


Part No.	Size	Per Sack	Lbs Each	Gate Frame Size - 1-5/8" & 1-7/8"
21326	2-3/8"	10	3,450	
21327	2-7/8"	10	3,520	
21329	3-1/2"	10	3,980	
21330	4"	10	4,010	
21331	4-1/2"	10	4,540	
21333	6-5/8"	6	6,690	
21334	8-5/8"	6	9,400	

Part No.	Size	Per Sack	Lbs Each	Gate Frame Size - 2-3/8"
21305	2-3/8"	10	3,600	
21306	2-7/8"	10	3,620	
21307	3-1/2"	10	3,980	
21308	4"	10	4,160	
21309	4-1/2"	10	4,540	
21310	6-5/8"	6	6,690	
21311	8-5/8"	6	9,400	

Part No.	Size	Per Sack	Lbs Each	Gate Frame Size - 2-7/8"
21315	2-7/8"	10	3,620	
21316	3-1/2"	10	3,980	
21317	4"	10	4,160	
21318	4-1/2"	10	4,540	
21319	6-5/8"	6	6,690	
21320	8-5/8"	6	9,400	

HINGES - GALVANIZED

Flat Wall - 180 Degree	Part No.	Size	Per Sack	Lbs Each
	21341	1-5/8"~1-7/8"	10	3.970
	21312	2-3/8"	10	3.970
	21321	2-7/8"	10	3.970

Bulldog Industrial Hinge Assembly - Pressed Steel Fits 1-5/8" or 1-7/8" Gates	Part No.	Size	Per Sack	Lbs Each
<p>(Assembly Includes One Each: Post Bracket, Gate Bracket, U-Bolt and Carriage Bolt)</p> 	21407	2-7/8"	10	3.680
	21409	3-1/2"	10	4.300
	21410	4"	10	4.330
	21411	4-1/2"	10	4.390
	21413	6-5/8"	4	7.130

HINGES - GALVANIZED

Part No.	Size	Per Sack	Lbs Each	Socket Hinge Assembly Malleable & Pressed Steel Fits 1-5/8" or 1-7/8" Gates
21366	2-3/8"	12	3.935	
21367	2-7/8"	12	4.840	
21369	3-1/2"	12	4.940	
21370	4"	12	4.872	
21373	6-5/8"	4	12.015	
21374	8-5/8"	4	16.248	
Part No.	Size	Per Sack	Lbs Each	180 Degree Hinge Adaptors Malleable
21381	1-7/8" x 1-7/8"	10	4.290	
Part No.	Size	Per Sack	Lbs Each	Socket Hinge Plugs - Malleable
25211	1-5/8"	24	1.300	
25212	1-7/8"	24	1.410	